

INSTALLATION INSTRUCTIONS FOR BLOWER KIT MODEL FAB-1100

GENERAL INFORMATION

The FAB-1100 forced air blower kit consists of a 105 CFM dual blower assembly.

The blower supplies air delivery at 105 CFM at 0" H₂O static pressure, 90 CFM at 0.2" H₂O static pressure. The maximum operating static pressure is 0.38" H₂O.

The FAB-1100 has been tested and certified by CSA.

Always check local building codes. The installation must comply with local regulations as well as the National Electric Code.

Failure to follow these instructions could cause a fireplace malfunction resulting in possible injury and/or property damage.

PLEASE RETAIN THESE INSTRUCTIONS FOR FUTURE REFERENCE.

PRELIMINARY INSPECTION

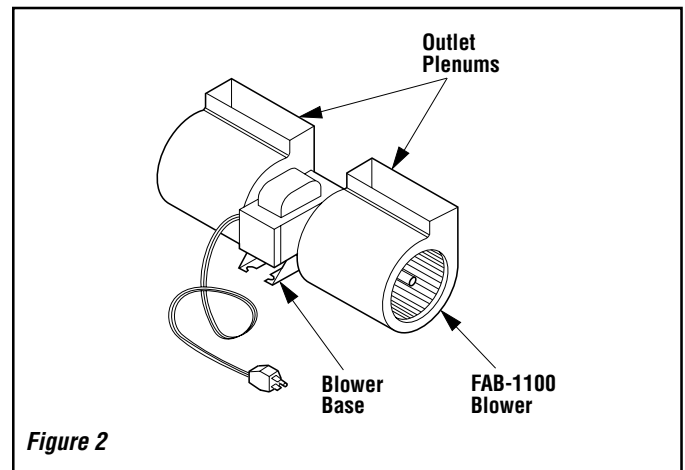
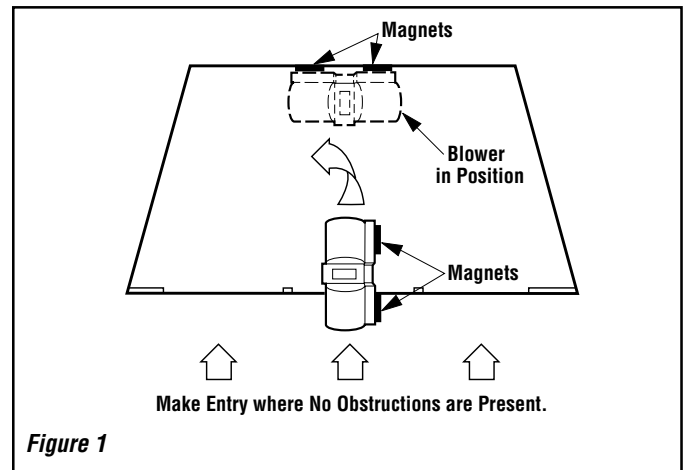
Remove the blower kit from the carton and check for any damage. Check inventory: blower assembly, sleeved power cord and installation instructions.

INSTALLING THE BLOWER

Step 1. In most appliances the FAB-1100 blower is simply positioned against the appliance back wall, with the magnets engaging the sheetmetal rear wall to secure the blower in place. Generally access to this location is gained by the opening (or removal) of the appliance lower compartment door or louvers **Figure 1**.

Step 2. The blower is properly positioned when it is centered against the appliance rear wall with the outlet plenums pointed upwards (**Figure 2**). Ensure that the blower base is firmly seated on the appliance base. Ensure that the blower is positioned against the appliance back wall. Some appliances are fitted with a blower shield preventing access to the back wall of the appliance. In this case remove the shield, place the blower, complete its installation, then replace the shield.

Step 3. Route the blower sleeved power cord to a switched, standard grounded three pronged outlet mounted on the appliance internal "J" box cover plate prewired at the time of appliance installation (see page 2 of this document, **Figure 3**). Ensure power cord minimizes contact with hot appliance surfaces. Operate the FAB-1100 from the switch controlling power to the appliance junction box.



Note: The FAB-1100 may also be used with the PureHeat appliance and the CGI-BAY and GI-3821 gas inserts. For use with the PureHeat and CGI-BAY appliances follow the instructions in their installation documents and those found in the PHEXK and CBEK kits respectively. The FAB-1100 is installed in the GI-3821 in accordance with instructions provided with that appliance.



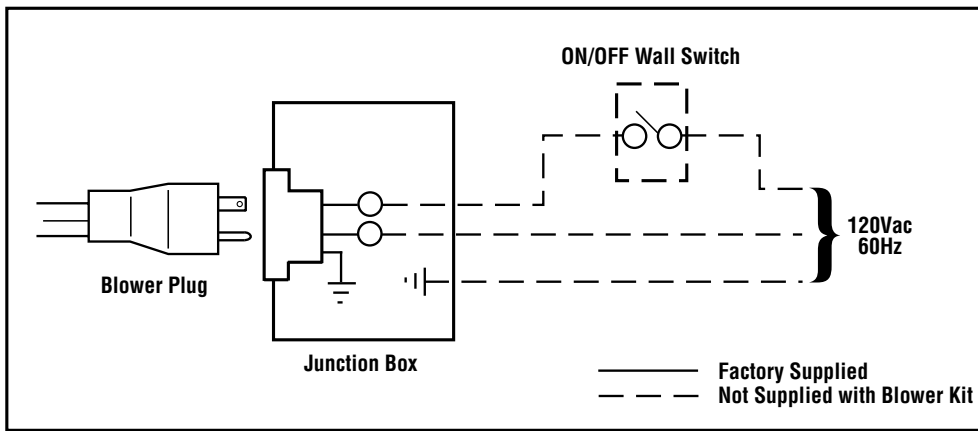


Figure 3

APPLIANCE WIRING

Most appliances are fitted with an electrical "J" box that can be accessed from outside of the appliance outer wrapper at the time of installation. The following general instructions apply.

WARNING: DO NOT CONFUSE BLOWER 120 VAC 60HZ WIRING CIRCUIT WITH THE APPLIANCE LOW VOLTAGE (MILLIVOLT) OPERATING CIRCUIT.

CAUTION: ELECTRICAL CONNECTIONS SHOULD ONLY BE PERFORMED BY A QUALIFIED, LICENSED ELECTRICIAN. MAIN POWER SUPPLY MUST BE TURNED OFF BEFORE CONNECTING FANS TO MAIN ELECTRICAL POWER SUPPLY OR PERFORMING SERVICE.

Step 1. Remove the external "J" box cover by removing the hex-head screw. The receptacle should be wired into an electrical circuit during the framing of the appliance.

The "J" box cover has a 7/8" (22mm) diameter knockout hole for connection of a conduit bushing.

Step 2. Wire with minimum 60° C wire in accordance with prevailing codes. The blower draws 1 amp at 120 Vac 60Hz.

CAUTION: MAIN POWER SUPPLY MUST BE TURNED OFF BEFORE EXTERNAL WIRING IS PERFORMED.

Step 3. Connect the ground wire to the ground screw located on the inside of the "J" box or on the "J" box plate.

Step 4. Replace the "J" box cover back onto the side access opening and secure with the hex head screw.

Step 5. Connect the wall switch (not provided with blower kit) to the supply wires in the wall receptacle box (*Figure 4*).

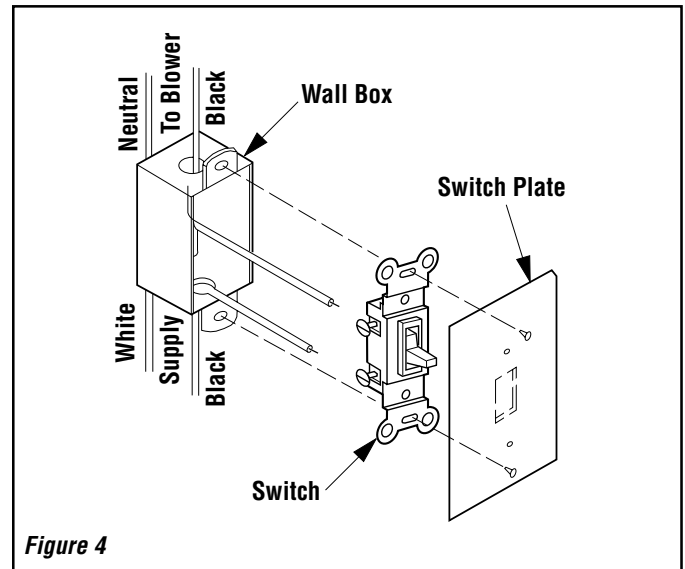


Figure 4

NOTE: DIAGRAMS & ILLUSTRATIONS NOT TO SCALE.

The manufacturer reserves the right to make changes at any time, without notice, in design, materials, specifications, prices and also to discontinue colors, styles and products. Consult your local distributor for fireplace code information.